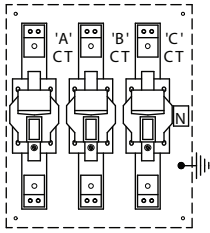


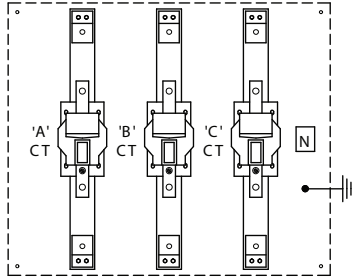


CT TERMINATOR MOUNTS Model #D-CT-TM

21-01



200A - 800A CT's



600A - 1200A CT's

- Specifically designed and to make quick, stable cable terminations to utility bar type CT's
- Unique saddle-mount assembly fits various size compression or mechanical lug.
- For either straight or 90° connection, prevents damage to CT created by conductor stress. Bus, lugs and bolts are supplied in CSA certified assembly.

Notes

- When CT neutral terminal option is requested, add suffix '-D-CT-NX'.
- For 600A and over CT it is suggested to use type 2 terminator.
- Optional lug sizes available - consult factory.

Model #	Amps	Standard Line Lug	Max Volts	Suggested Minimum Pan Size (")	Suggested Minimum CT Box Size (")
D-CT-TM-1	200-600	(2) #2-350	600	± 18 x 15	36 x 24 x 10
D-CT-TM-1A	200-600	(2) #2-600	600	± 18 x 15	36 x 24 x 10
D-CT-TM-1B	200-600	(2) #1/0-600	600	± 18 x 15	36 x 24 x 10
D-CT-TM-2	600-1200	(2) #1/0-600	600	± 22 x 26	48 x 36 x 12
D-CT-TM-2A	600-1200	(4) #1/0-600	600	± 22 x 26	48 x 36 x 12

CT JUMPER KIT

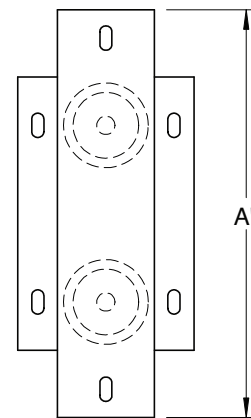
Model #D-JP-CT

- Specifically designed to jumper out CT's in services where CT's are no longer required (ex. as utility moves metering to supply transformer from inside CT cabinet). Unit is free standing with base, insulator mounts and copper bus.

Option

- Bus link only without base

Model #	Amps	Max Volts	Bus Size A (")
D-JP-CT-225	225	600	9 ³ / ₈
D-JP-CT-400	400	600	9 ³ / ₈
D-JP-CT-600	600	600	11 ¹ / ₂
D-JP-CT-800	800	600	11 ¹ / ₂
D-JP-CT-1200	1200	600	11 ¹ / ₂



Model #D-JP-CT-400 Shown

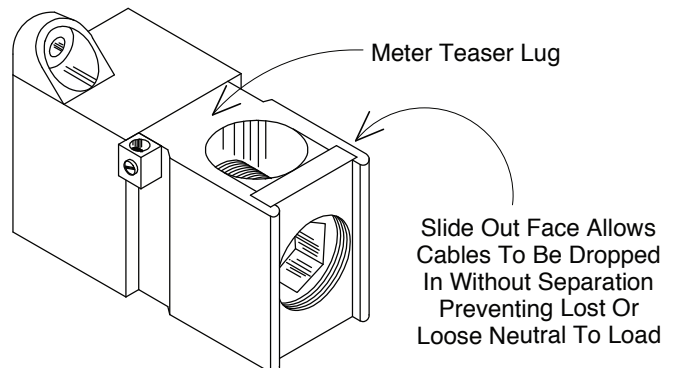
UTILITY CT/METERING NEUTRAL TERMINAL

Model #D-CT-N

- Specifically designed as a lay-in lug/neutral isolation block for connection of meter potential tails required by utilities, where it is preferred not to cut the neutral cable.

Model #	Amps	Power Conductor Size	Tickler Conductor Size
D-CT-N1	600	350-6	6-14
D-CT-N2	600	600-2	6-14
D-CT-N3	600	750-1/0	6-14

Model #D-CT-N2 Shown



1.800.642.2952

acdandy@acdandy.com