

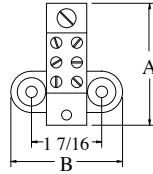
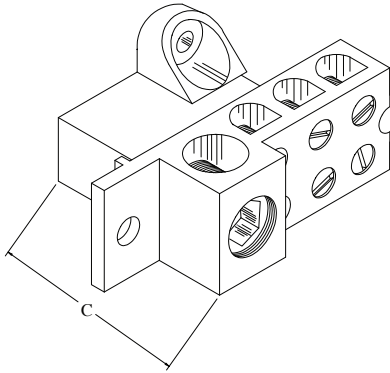


20-01

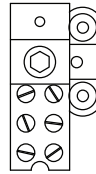
TERMINAL BLOCK ASSEMBLIES

Model #ST

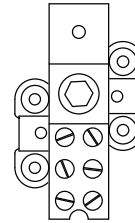
- Heavy duty aluminum splitter blocks
- Polyester high strength bases
- Rated 600V Al/Cu - 1/4" mounting holes



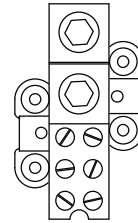
ST-125



ST-225



ST-400



ST-600

Model #	Volts	Amps	Lugs Rating AWG		Dimensions (")			Weight
			Mains	Secondary	A	B	C	
ST-125	600	125	(1) 1/0-14	(6) 2-14	2-3/8	2-1/4	1-7/8	0.25 lbs
ST-225	600	225	(1) 300-6	(6) 2/0-14	3-7/16	1-7/8	2-5/16	0.50 lbs
ST-400	600	400	(1) 600-4 or (2) 250-1/0	(6) 3/0-14	4-7/16	2-3/4	3-1/16	0.75 lbs
ST-600	600	600	(2) 600-4 or (4) 250-1/0	(6) 3/0-14	4-7/16	2-3/4	3-1/16	0.90 lbs