

NEW PRODUCT BULLETIN

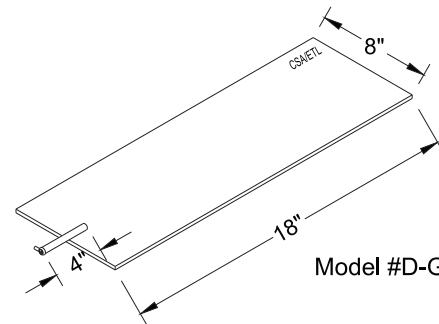


A.C. DANDY

DANDY GROUNDING PLATES

SERIES DGP | MODEL #DGP

- Certified ground electrode plate
- Meets and exceeds C.E.C. Part 1 10-102 Grounding Electrodes and CSA Standard Rule 6.10.4 and certified as such
- Stud design is acceptable where authority having jurisdiction allows ground wire connection not to be visible
- Hook design allows for ground wire to be visible by way of the rod being above finished grade with this plate the electrode being in direct contact to virgin soil directly below footing and/or encased in 2" concrete



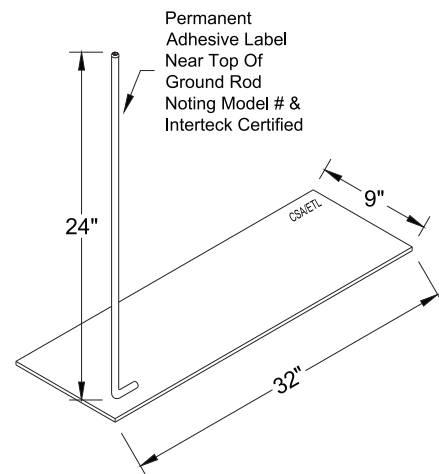
Model #D-GP-STUD-1 Shown

OPTIONS

- Corrosive resistant bronze oval cable clamp #8-3/0 (when terminal is not visible)

NOTES

- Oversized 32" x 9" unit is suggested when plate surface contact is only in contact on 1 side of plate (as in bottom of footing)
- Unique hook design is specific to obtaining a visible, corrosion resistant, code compliant and certified secure cable connection to a buried electric system metal plate. Grounding electrode compatible to direct earth burial and concrete encasement or combination of both for metal electrode electric system grounding. ** PATENT PENDING**
- Cable clamp by others to authority having jurisdiction
- Intertek certified to C.S.A. C22.2 #41-13



Isometric View
Model #D-GP-HOOK-1 Shown

Model #	Ground Plate Dimensions	Ground Rod Length	Size
D-GP-STUD-1	18" x 8" x 1/4"	4"	Standard
D-GP-HOOK-1	32" x 9" x 1/4"	24"	Oversized

- Standard size is applicable to location where ground plate is per C.E.C. 10-102 where both sides of plate are in contact with soil
- Oversized unit is uniquely applicable to locations where under side only of ground plate is in contact with virgin soil and when top is encased with concrete

For more information visit acdandy.com or call 1.800.642.2952